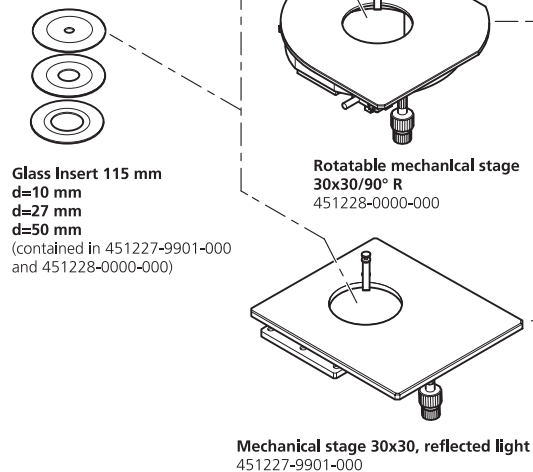
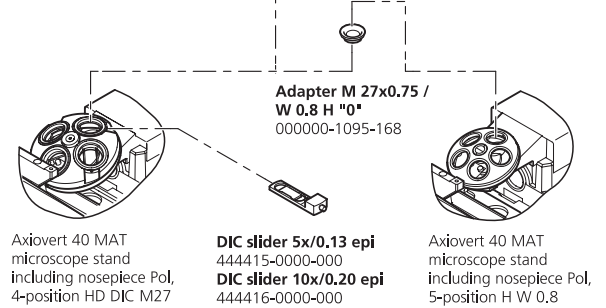


- Objective "Epiplan" 5x/0.13 HD
442924-0000-000
 - Objective "Epiplan" 10x/0.20 HD
442934-0000-000
 - Objective "Epiplan" 20x/0.40 HD
442944-0000-000
 - Objective "Epiplan" 50x/0.70 HD
442954-0000-000
 - Objective "Epiplan" 100x/0.75 HD
442984-0000-000
- Objective "Epiplan" 5x/0.13
442920-0000-000
 - Objective "Epiplan" 10x/0.20
442930-0000-000
 - Objective "Epiplan" 20x/0.40
442940-0000-000
 - Objective "Epiplan" 50x/0.70
442950-0000-000
 - Objective "Epiplan" 100x/0.75
442980-0000-000

Objectives EC "Epiplan-Neofluar" are also usable



Axiovert 40 MAT

Phase stop Ph 0/0.2
451261-0000-000
Phase stop Ph 1/0.2
451260-0000-000

Slider Ph, H, Ph
451245-0000-000

Condenser 0.55
(a=31mm)
451237-0000-000

Condenser 0.4
(a=53mm)
451235-0000-000

Condenser 0.2
(a=90mm)
451236-0000-000

Analyzer 90°
453667-0000-000

Compensator pol
Lambda sub. +/- 10°
453706-0000-000

Compensator Lambda
453707-0000-000

Filter slider d=25 mm
(contained in 451221-0000-000
and 451222-0000-000)

Eyepiece W-PL 10x/23 Br. foc.
455043-0000-0000
(optional with diaphragm, screwable
455043-0206-000)

Eyepiece eyecup
444801-0000-000

Format reticule
MC 2.5x/d=26 mm
454075-0000-000

Format reticule
MC 3.2x/d=26 mm
454076-0000-000
(see price list for
additional reticules)

Micrometer eyepiece 20x
444142-0000-000

Digital, integrated
micrometer screw (0)
000000-0425-878

Special eyepiece 20x
444141-0000-000

Auxiliary microscope d=30
000000-1006-362

Axiovert 40 MAT microscope stand
(including nosepiece Pol, 4-position HD DIC M27)
451221-0000-000

Axiovert 40 MAT microscope stand (without illustration)
(including nosepiece Pol, 5-position H W 0,8)
451222-0000-000

3-position
reflector slider P&C
451243-0000-000

Reflector module H P&C
000000-1046-274

Reflector module D P&C
000000-1099-898

Reflector module DIC P&C
000000-1046-277

Reflector module DIC red I P&C
000000-1046-278

Reflector module Pol P&C
000000-1046-279

Reflector module FL P&C
000000-1046-281

"Optovar" module 1.25x P&C
000000-1046-284

"Optovar" module 1.6x P&C
000000-1046-283

"Optovar" module 2.5x P&C
000000-1046-282

Carrier for 12 V 35 W transmitted-light illumination
451223-0000-000
Halogen lamp 12 V 35 W for Axiovert 40
000000-0234-793

necessary if
Illuminator 12 V 35 W
451224-0000-000
it is already used in the reflected light:
Power supply 12V DC 100W stabilized
000000-1128-574 and
Extension cable for HAL 12V 100W
457411-9050-000

Illuminator 12 V 35 W
451224-0000-000
Halogen lamp 12 V 35 W
for Axiovert 40
000000-0234-793

Power supply 12 V DC 100 W
stabilized
000000-1128-574

100 HAL lamp housing
with collector, lamp mount
447219-0000-000
Halogen lamp 12 V 100 W
380079-9540-000

Transformer mbq 52 ac-z
for HBO 50 ac
000000-1113-833

Lamp housing HBO 50 with socket
447220-0000-000
Lamp collector HBO 50/SF 25
447270-0000-000
HBO 50 super-pressure mercury lamp
381619-0000-000

Power supply unit
for N XBO 75
000000-1003-924

Illuminator N XBO 75
000000-1007-981
Collector N HBO 103/XBO 75
000000-1007-976
Xenon-lamp XBO 75 W/2
380079-9190-000

Filter slider 2-position d=25 mm
(contained in 451221-0000-000 and
451222-0000-000)
in addition grey filter,
conversion filter,
interference filter green,
filters for fluorescence excitation